

Transforming Interbody Fusion

dualX™
Dual Expanding Interbody Fusion System

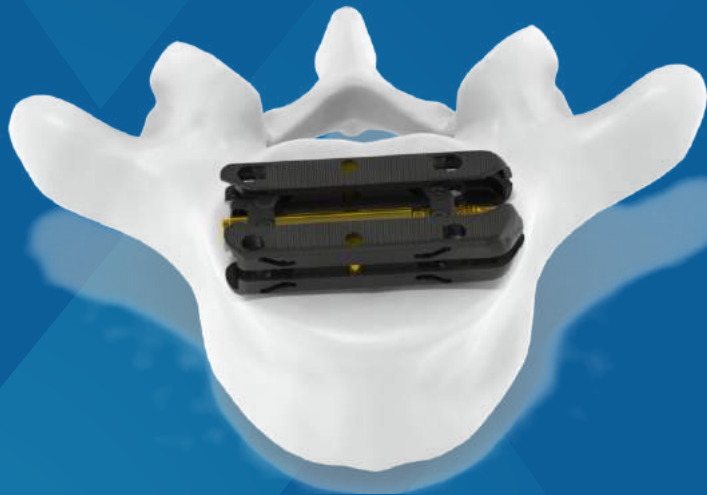


dualX transforms the fusion environment from insertion to spinal restoration by delivering a powerful implant through a minimally-invasive approach.

- Accommodates lateral, transforaminal and posterior approaches
- Wide, lateral expansion engineered to reduce subsidence risk
- Powerful vertical expansion restores disc height for decompression
- Lordotic angle for sagittal alignment restoration
- Innovative dual locking designed to maintain height long-term
- Post-expansion, surgeon-preferred bone grafting

Dual Expanding Interbody Implant Engineered for Spinal Fusion

Three Unique Implants



LLIF

- Heights 7 expanding to 17mm
- Width 13 expanding to 22mm
- Length 40 to 60mm
- 0°, 7°, 12° and 18° Lordosis*



TLIF

- Heights 7 expanding to 17mm
- Width 12 expanding to 21mm
- Length 30mm
- 0°, 8°, 12° and 15° Lordosis*

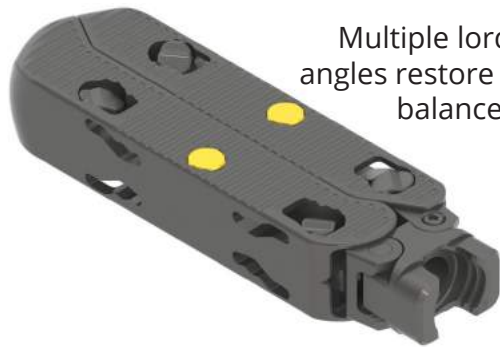


T/PLIF

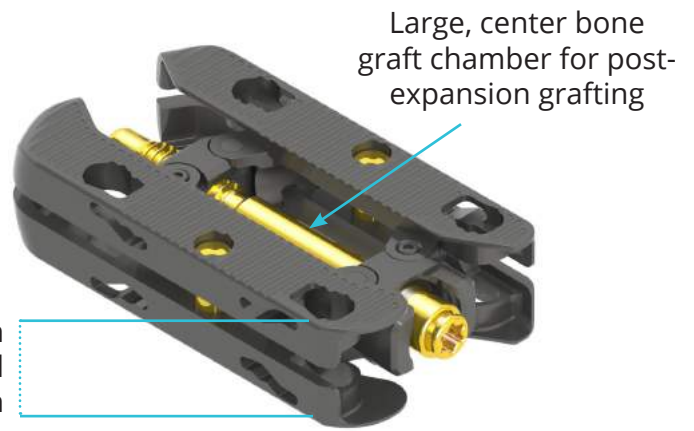
- Heights 7 expanding to 17mm
- Width 12 expanding to 21mm
- Length 25mm
- 0°, 8°, 12° and 15° Lordosis*

**Some lordotic angles available by request*

Options for Lateral, Transforaminal and Posterior Approaches

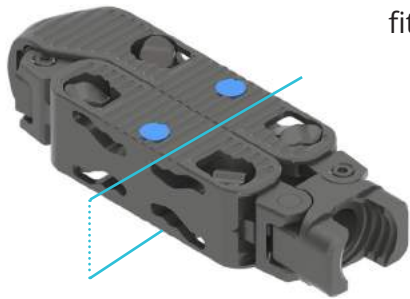


Multiple lordotic angles restore sagittal balance



Large, center bone graft chamber for post-expansion grafting

Vertical expansion assists in direct and indirect decompression



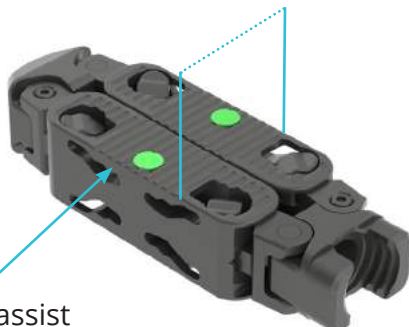
Optimized anatomical fit ensures endplate-to-endplate contact

Low profile protects endplates during insertion



Lateral expansion establishes stable footprint

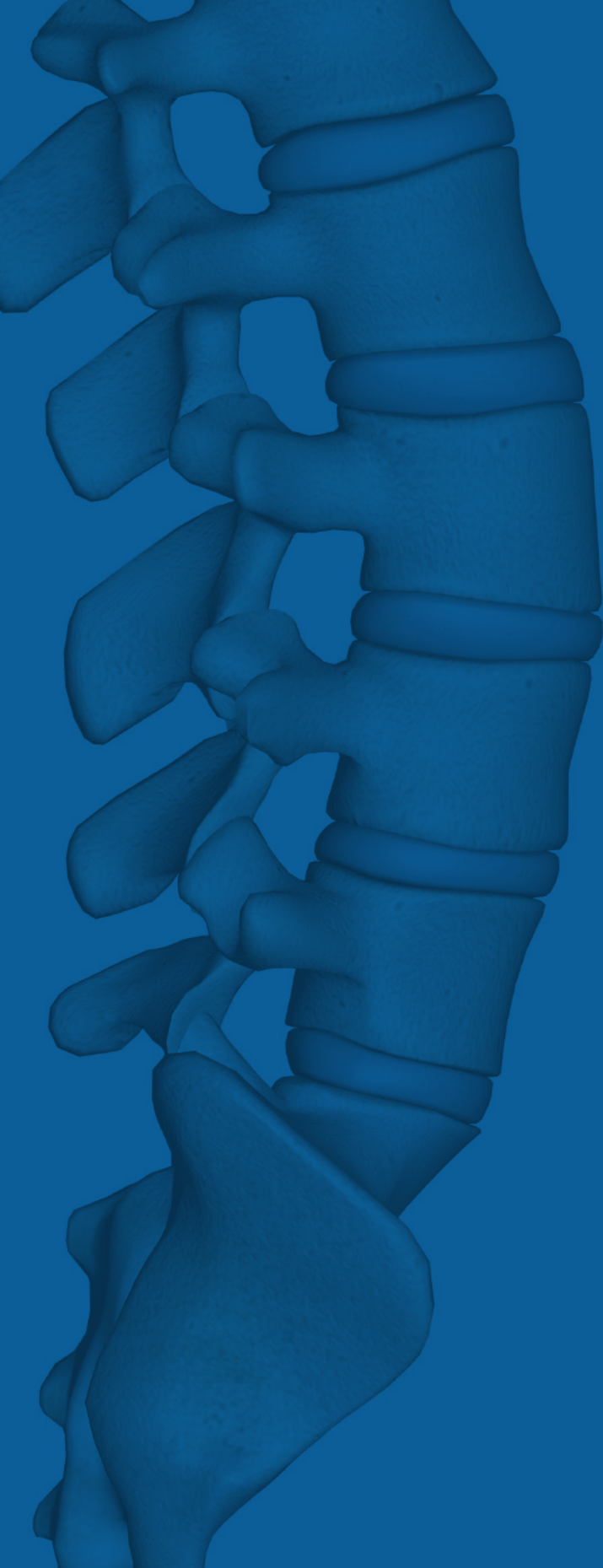
Collapsed width designed to reduce neural retraction



Coarse ridges assist with insertion stability

Titanium construct provides long-term support





Amplify Surgical is a privately-held spinal device company focused on developing and commercializing innovative, minimally-invasive technologies for spine surgery. Amplify Surgical is a portfolio company of IntuitiveX, a life science innovation incubator.

Please refer to package insert for current warnings, precautions and instructions for use.
©Copyright 2019. All Rights Reserved. dualX is a trademark of Amplify Surgical, Inc.
For more information call 765-AMPLIFY email info@amplifysurgical.com or visit amplifysurgical.com.

ML10005.D

AMPLIFY[™]
SURGICAL